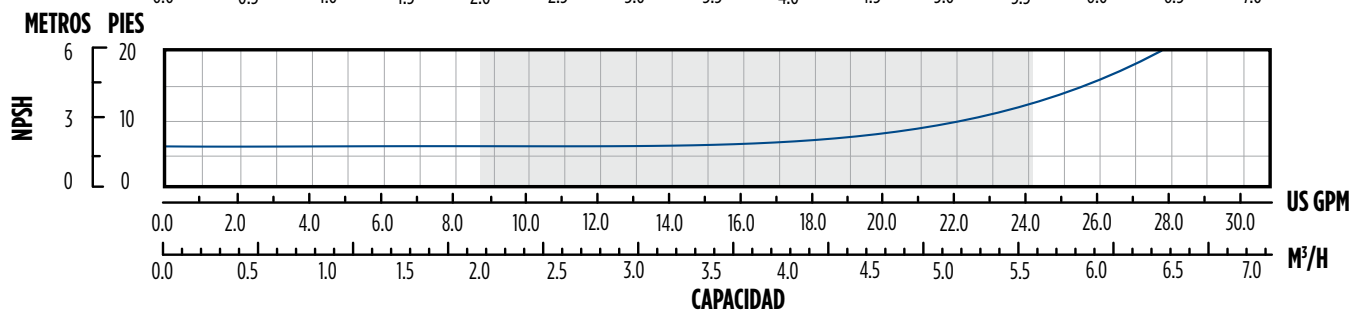
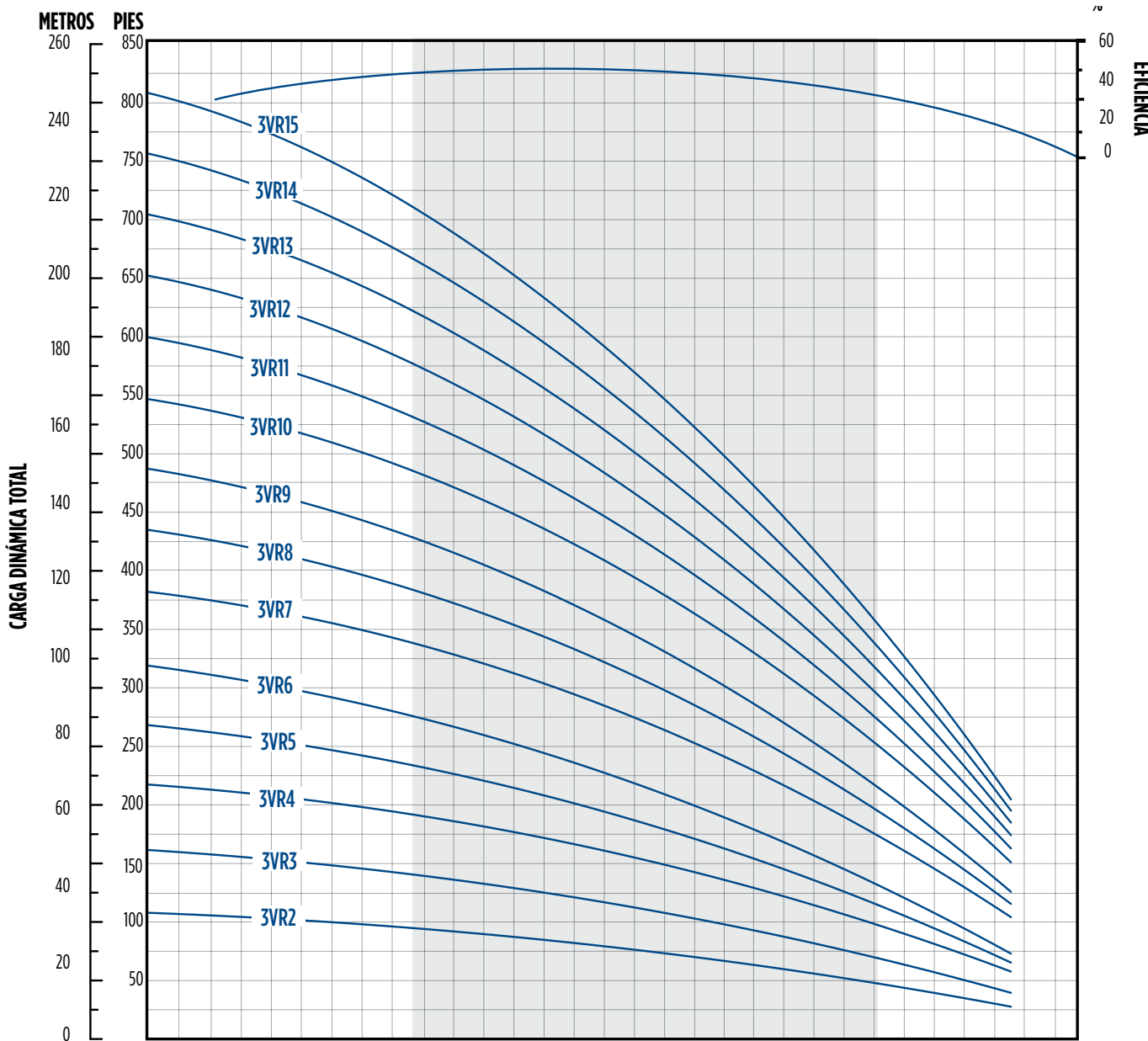


BOMBAS VERTICALES MULTI-ETAPAS

SERIE VR - 60 HZ

CURVA DE RENDIMIENTO

MODELOS VR3

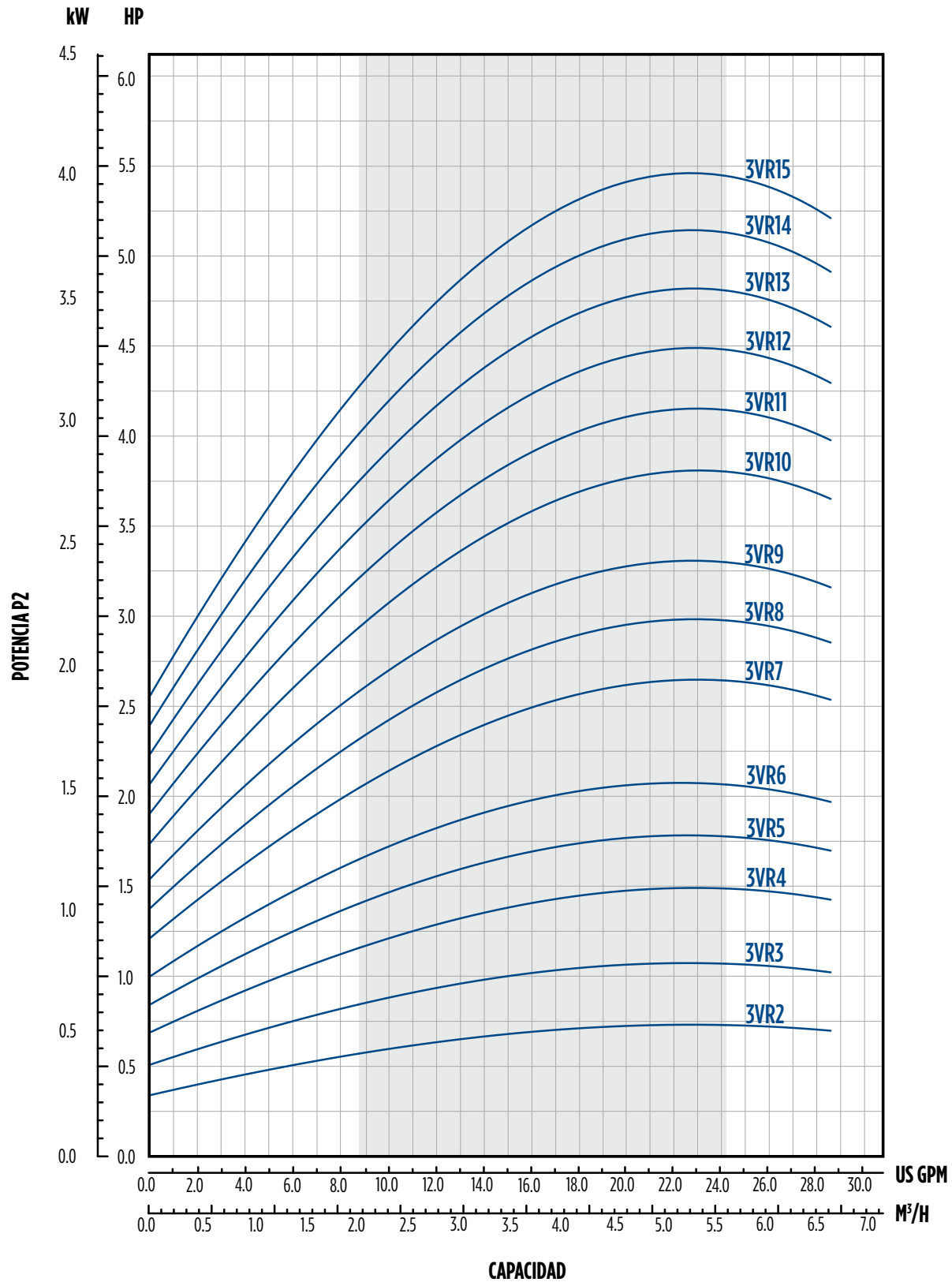


BOMBAS VERTICALES MULTI-ETAPAS

SERIE VR - 60 HZ

CURVA DE POTENCIA

MODELOS VR3



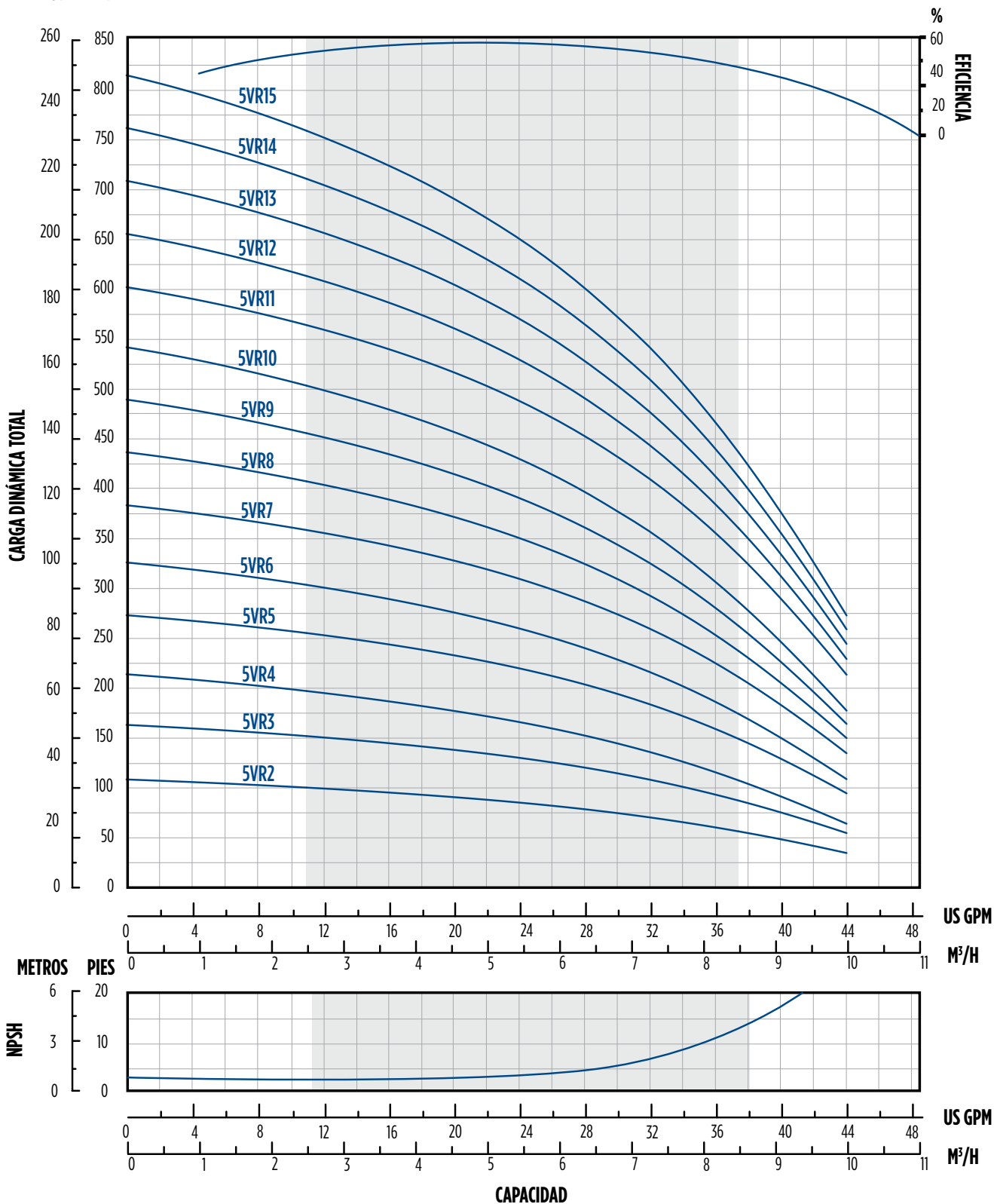
BOMBAS VERTICALES MULTI-ETAPAS

SERIE VR - 60 HZ

CURVA DE RENDIMIENTO

MODELOS VR5

METROS PIES

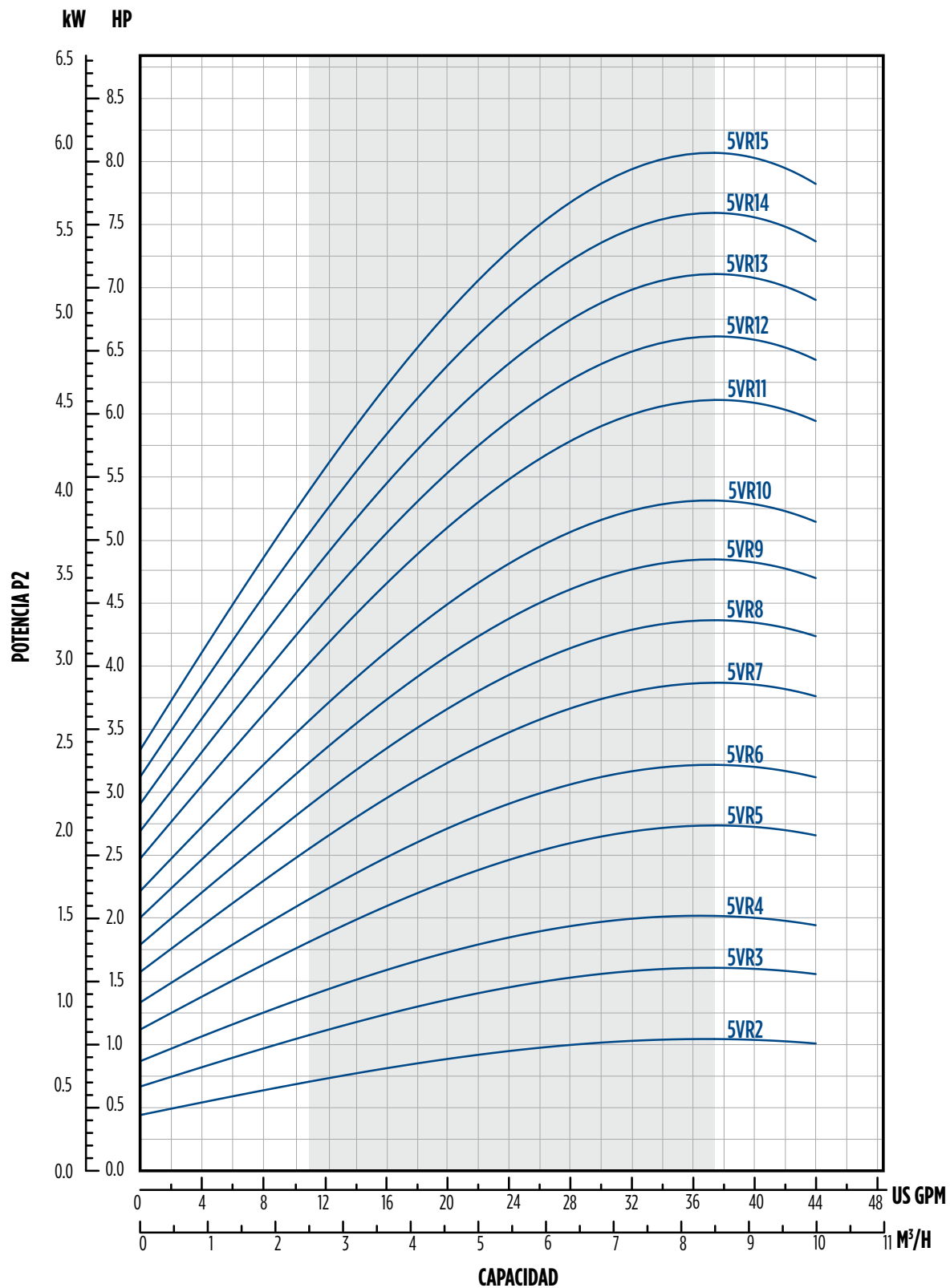


BOMBAS VERTICALES MULTI-ETAPAS

SERIE VR - 60 HZ

CURVA DE POTENCIA

MODELOS VR5

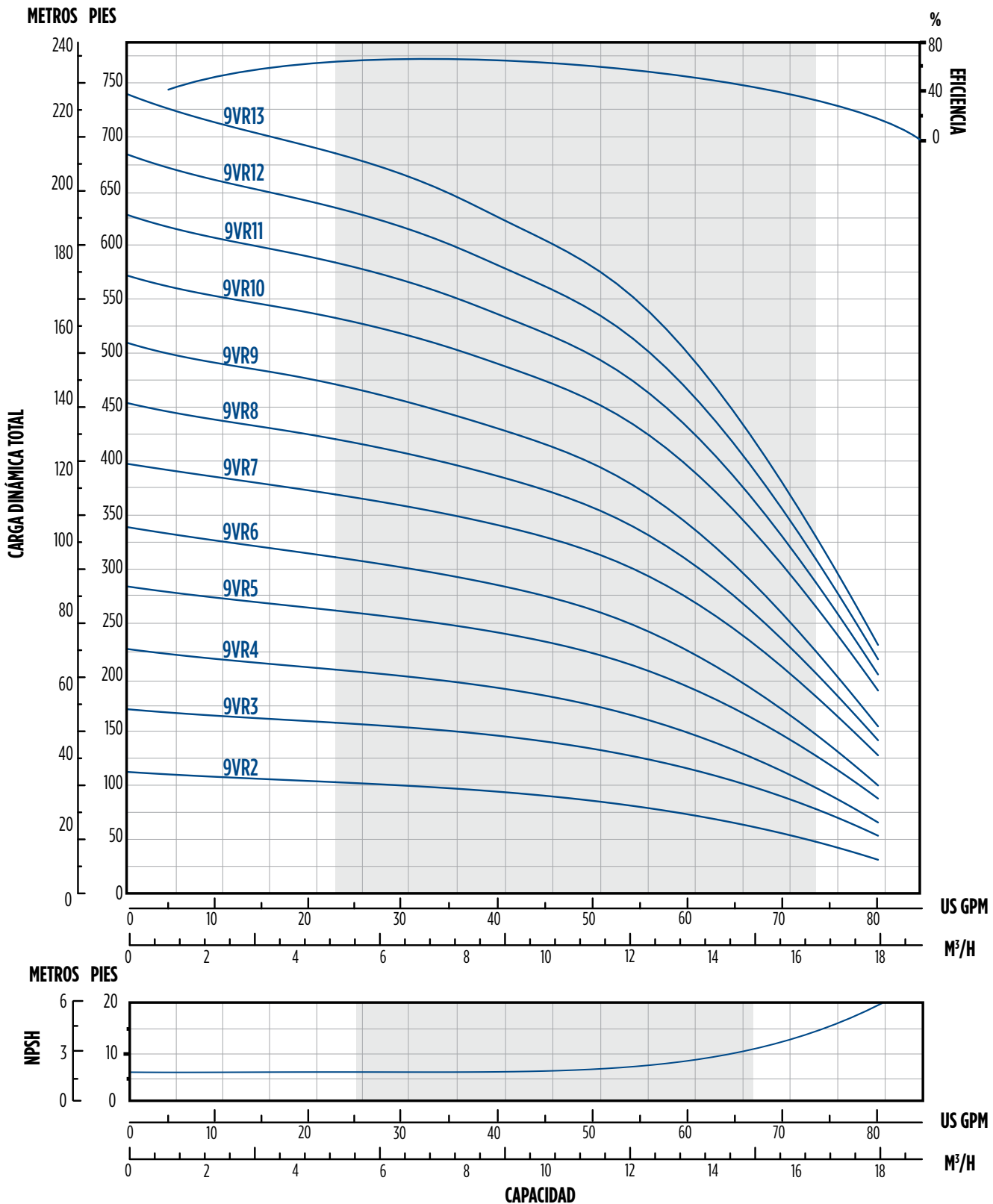


BOMBAS VERTICALES MULTI-ETAPAS

SERIE VR - 60 HZ

CURVA DE RENDIMIENTO

MODELOS VR9

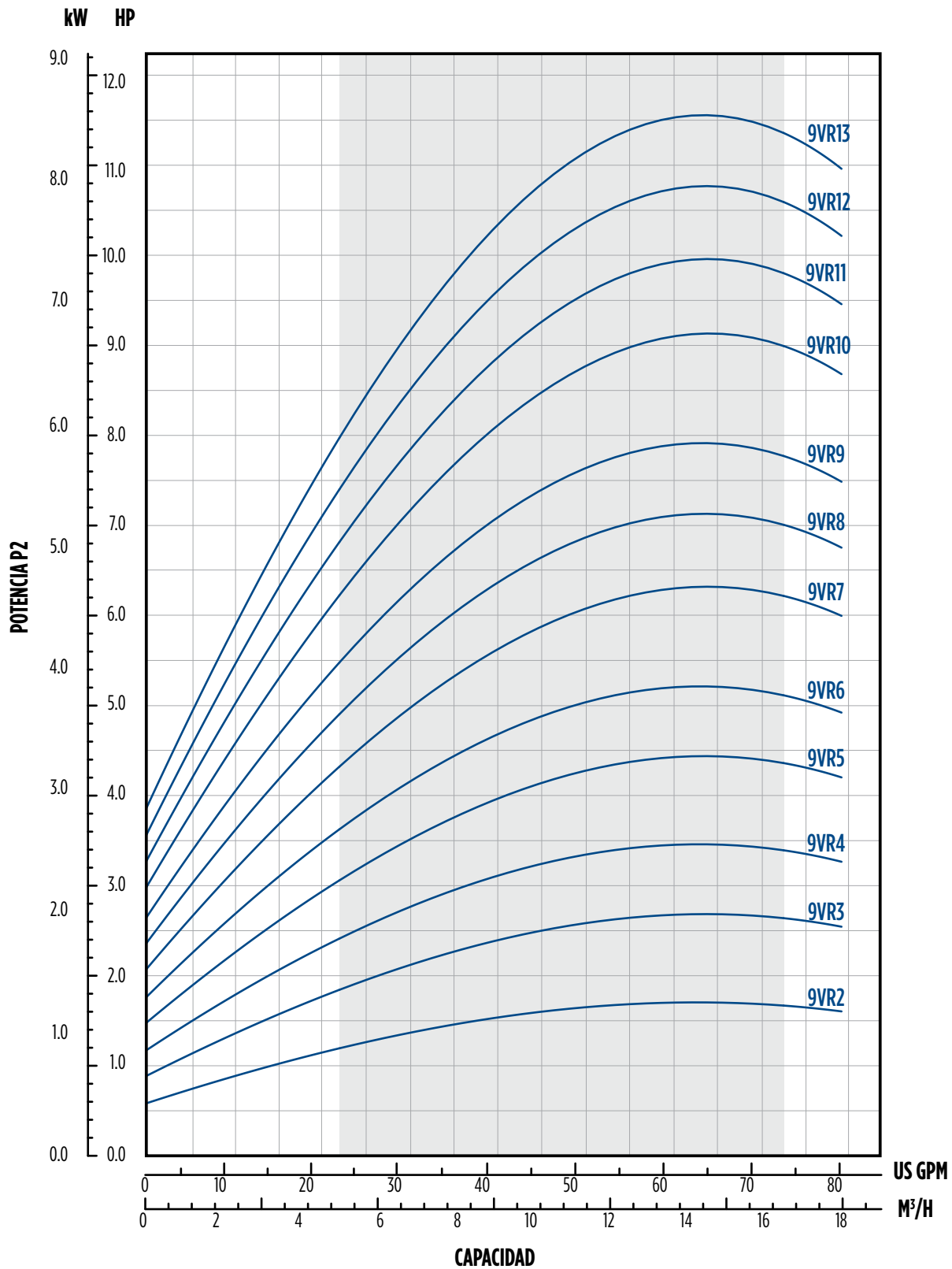


BOMBAS VERTICALES MULTI-ETAPAS

SERIE VR - 60 HZ

CURVA DE POTENCIA

MODELOS VR9



BOMBAS VERTICALES MULTI-ETAPAS

SERIE VR - 60 HZ

INFORMACIÓN DE PEDIDO

MODELO VR3

SUCC/DESC	ETAPAS	HP	BRIDA MOTOR	MODELO	PMA - MOTOR BALDOR			BOMBA + MOTOR WEG DESENSAMBLADA				SOLO BOMBA
					FLA	SFA	NO. DE PARTE	FLA	SFA	NO. DE PARTE MÉXICO	NO. DE PARTE COLOMBIA	NO. DE PARTE
1.25" x 1.25"	2	0.75	56C	3VR2F-60N07T3	3.1-2.6/1.3	3/1.5	9145200302	2.50-2.26/1.13	2.87-2.59/1.30	307902901	312901901	9140200302
	3	1	56C	3VR3F-60N11T3P	2.8/1.4	3.5/1.75	9145200303	3.19-2.88/1.44	3.19-3.31/1.65	307903901	312902901	9140200303
	4	1.5	56C	3VR4F-60N15T3P	4.6-3.8/1.9	4.3/2.15	9145200304	4.14-3.74/1.87	4.14-4.3/2.15	307904901	312903901	9140200304
	5	1.5	56C	3VR5F-60N15T3P	4.6-3.8/1.9	4.3/2.15	9145200305	4.14-3.74/1.87	4.14-4.3/2.15	307905901	312904901	9140200305
	6	2	56C	3VR6F-60N21T3P	5.3-5.0/2.5	5.56/2.78	9145200306	5.46-4.95/2.47	5.46-5.69/2.84	307906901	312905901	9140200306
	7	3	56C	3VR7F-60N3T3P	7.9-7.2/3.6	8.28/4.14	9145200307	7.76-7.02/3.51	7.76-8.07/4.04	307907901	312906901	9140200307
	8	3	56C	3VR8F-60N3T3P	7.9-7.2/3.6	8.28/4.14	9145200308	7.76-7.02/3.51	7.76-8.07/4.04	307908901	312907901	9140200308
	9	3	56C	3VR9F-60N3T3P	7.9-7.2/3.6	8.28/4.14	9145200309	7.76-7.02/3.51	7.76-8.07/4.04	307909901	312908901	9140200309
	10	5	184TC	3VR10F-60N5T3P	12.8-11.8/5.9	13.4/6.7	9146200310	13.1 - 11.8/5.90	15.06-13.5/6.8	307910901	312909901	9140200310
	11	5	184TC	3VR11F-60N5T3P	12.8-11.8/5.9	13.4/6.7	9146200311	13.1 - 11.8/5.90	15.06-13.5/6.8	307911901	312910901	9140200311
	12	5	184TC	3VR12F-60N5T3P	12.8-11.8/5.9	13.4/6.7	9146200312	13.1 - 11.8/5.90	15.06-13.5/6.8	307912901	312911901	9140200312
	13	5	184TC	3VR13F-60N5T3P	12.8-11.8/5.9	13.4/6.7	9146200313	13.1 - 11.8/5.90	15.06-13.5/6.8	307913901	312912901	9140200313
	14	5	184TC	3VR14F-60N5T3P	12.8-11.8/5.9	13.4/6.7	9146200314	13.1 - 11.8/5.90	15.06-13.5/6.8	307914901	312913901	9140200314
	15	5	184TC	3VR15F-60N5T3P	12.8-11.8/5.9	13.4/6.7	9146200315	13.1 - 11.8/5.90	15.06-13.5/6.8	307915901	312914901	9140200315

NOTAS:

- Bombas acopladas a Motor Baldor TEFC Trifásico 208-230/460V Eficiencia Premium para modelos superiores a partir de 1HP y Eficiencia Estándar para modelos menores a 1HP
- Bombas acopladas a Motor WEG TEFC Trifásico 208-230/460V Eficiencia Premium para modelos superiores a partir de 1HP y Eficiencia Estándar para modelos menores a 1HP
- Sello mecánico de doble cara: Carburo de silicio/Carburo de silicio/EPDM/SS
- Modelos disponibles hasta agotar existencias, consulte con su vendedor sobre el modelo de reemplazo.

INFORMACIÓN DE PEDIDO

MODELO VR5

SUCC/DESC	ETAPAS	HP	BRIDA MOTOR	MODELO	PMA - MOTOR BALDOR			BOMBA + MOTOR WEG DESENSAMBLADA				SOLO BOMBA
					FLA	SFA	NO. DE PARTE	FLA	SFA	NO. DE PARTE MÉXICO	NO. DE PARTE COLOMBIA	NO. DE PARTE
1.25" x 1.25"	2	1	56C	5VR2F-60N11T3P	2.8/1.4	3.5/1.75	9145200502	3.19-2.88/1.44	3.19-3.31/1.65	307916901	312915901	9140200502
	3	1.5	56C	5VR3F-60N15T3P	4.6-3.8/1.9	4.3/2.15	9145200503	4.14-3.74/1.87	4.14-4.3/2.15	307917901	312916901	9140200503
	4	2	56C	5VR4F-60N21T3P	5.3-5.0/2.5	5.56/2.78	9145200504	5.46-4.95/2.47	5.46-5.69/2.84	307918901	312917901	9140200504
	5	3	56C	5VR5F-60N3T3P	7.9-7.2/3.6	8.28/4.14	9145200505	7.76-7.02/3.51	7.76-8.07/4.04	307919901	312918901	9140200505
	6	3	56C	5VR6F-60N3T3P	7.9-7.2/3.6	8.28/4.14	9145200506	7.76-7.02/3.51	7.76-8.07/4.04	307920901	312919901	9140200506
	7	5	184TC	5VR7F-60N5T3P	12.8-11.8/5.9	13.4/6.7	9146200507	13.1 - 11.8/5.90	15.06-13.5/6.8	307921901	312920901	9140200507
	8	5	184TC	5VR8F-60N5T3P	12.8-11.8/5.9	13.4/6.7	9146200508	13.1 - 11.8/5.90	15.06-13.5/6.8	307922901	312921901	9140200508
	9	5	184TC	5VR9F-60N5T3P	12.8-11.8/5.9	13.4/6.7	9146200509	13.1 - 11.8/5.90	15.06-13.5/6.8	307923901	312922901	9140200509
	10	5	184TC	5VR10F-60N5T3P	12.8-11.8/5.9	13.4/6.7	9146200510	13.1 - 11.8/5.90	15.06-13.5/6.8	307924901	312923901	9140200510
	11	7.5	184TC	5VR11F-60N75T3P	17.2-16.2/8.1	18.6/9.3	9146200511	19.2-17.3/8.67	22.08-19.9/9.9	307925901	312924901	9140200511
	12	7.5	184TC	5VR12F-60N75T3P	17.2-16.2/8.1	18.6/9.3	9146200512	19.2-17.3/8.67	22.08-19.9/9.9	307926901	312925901	9140200512
	13	7.5	184TC	5VR13F-60N75T3P	17.2-16.2/8.1	18.6/9.3	9146200513	19.2-17.3/8.67	22.08-19.9/9.9	307927901	312926901	9140200513
	14	7.5	184TC	5VR14F-60N75T3P	17.2-16.2/8.1	18.6/9.3	9146200514	19.2-17.3/8.67	22.08-19.9/9.9	307928901	312927901	9140200514
	15	7.5	184TC	5VR15F-60N75T3P	17.2-16.2/8.1	18.6/9.3	9146200515	19.2-17.3/8.67	22.08-19.9/9.9	307929901	312928901	9140200515

NOTAS:

- Bombas acopladas a Motor Baldor TEFC Trifásico 208-230/460V Eficiencia Premium
- Bombas acopladas a Motor WEG TEFC Trifásico 208-230/460V Eficiencia Premium
- Sello mecánico de doble cara: Carburo de silicio/Carburo de silicio/EPDM/SS
- Modelos disponibles hasta agotar existencias, consulte con su vendedor sobre el modelo de reemplazo.

BOMBAS VERTICALES MULTI-ETAPAS

SERIE VR - 60 HZ

INFORMACIÓN DE PEDIDO

MODELO VR9

SUCC/DESC	ETAPAS	HP	BRIDA MOTOR	MODELO	PMA - MOTOR BALDOR			BOMBA + MOTOR WEG DESENSAMBLADA				SOLO BOMBA
					FLA	SFA	NO. DE PARTE	FLA	SFA	NO. DE PARTE MÉXICO	NO. DE PARTE COLOMBIA	NO. DE PARTE
2" x 2"	2	2	56C	9VR2F-60N2T3P	5.3-5.0/2.5	5.56/2.78	9145200902	5.46-4.95/2.47	5.46-5.69/2.84	307930901	312929901	9140200902
	3	3	56C	9VR3F-60N3T3P	7.9-7.2/3.6	8.28/4.14	9145200903	7.76-7.02/3.51	7.76-8.07/4.04	307931901	312930901	9140200903
	4	3	56C	9VR4F-60N3T3P	7.9-7.2/3.6	8.28/4.14	9145200904	7.76-7.02/3.51	7.76-8.07/4.04	307932901	312931901	9140200904
	5	5	184TC	9VR5F-60N5T3P	12.8-11.8/5.9	13.4/6.7	9146200905	13.1 - 11.8/5.90	15.06-13.5/6.8	307933901	312932901	9140200905
	6	5	184TC	9VR6F-60N5T3P	12.8-11.8/5.9	13.4/6.7	9146200906	13.1 - 11.8/5.90	15.06-13.5/6.8	307934901	312933901	9140200906
	7	7.5	184TC	9VR7F-60N75T3P	17.2-16.2/8.1	18.6/9.3	9146200907	19.2-17.3/8.67	22.08-19.9/9.9	307935901	312934901	9140200907
	8	7.5	184TC	9VR8F-60N75T3P	17.2-16.2/8.1	18.6/9.3	9146200908	19.2-17.3/8.67	22.08-19.9/9.9	307936901	312935901	9140200908
	9	7.5	184TC	9VR9F-60N75T3P	17.2-16.2/8.1	18.6/9.3	9146200909	19.2-17.3/8.67	22.08-19.9/9.9	307937901	312936901	9140200909
	10	10	215TC	9VR10F-60N10T3P	24.9-23.6/11.8	27/13.5	9146200910	25.4-23.0/11.5	29.2-26.4/13.2	307938901	312937901	9140200910
	11	10	215TC	9VR11F-60N10T3P	24.9-23.6/11.8	27/13.5	9146200911	25.4-23.0/11.5	29.2-26.4/13.2	307939901	312938901	9140200911
	12	10	215TC	9VR12F-60N10T3P	24.9-23.6/11.8	27/13.5	9146200912	25.4-23.0/11.5	29.2-26.4/13.2	307940901	312939901	9140200912
	13	10	215TC	9VR13F-60N10T3P	24.9-23.6/11.8	27/13.5	9146200913	25.4-23.0/11.5	29.2-26.4/13.2	307941901	312940901	9140200913

NOTAS:

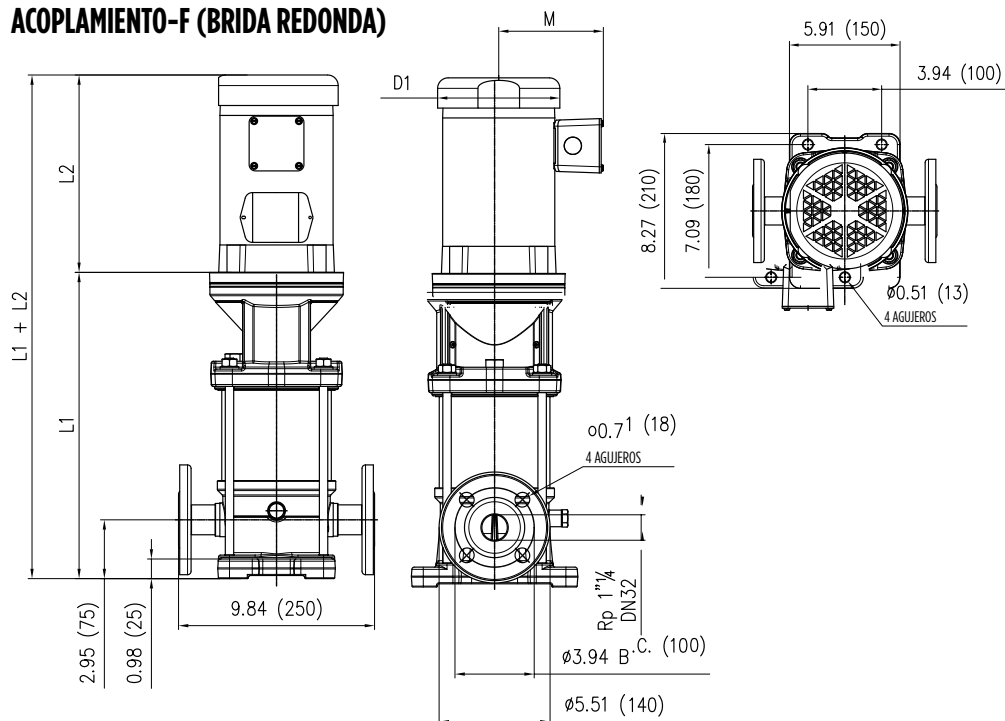
1. Bombas acopladas a Motor Baldor TEFC Trifásico 208-230/460V Eficiencia Premium
2. Bombas acopladas a Motor WEG TEFC Trifásico 208-230/460V Eficiencia Premium
3. Sello mecánico de doble cara: Carburo de silicio/Carburo de silicio/EPDM/SS
4. Modelos disponibles hasta agotar existencias, consulte con su vendedor sobre el modelo de reemplazo.

BOMBAS VERTICALES MULTI-ETAPAS

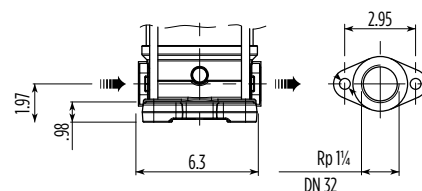
SERIE VR - 60 HZ

DIAGRAMAS DE DIMENSIONES MODELO VR3

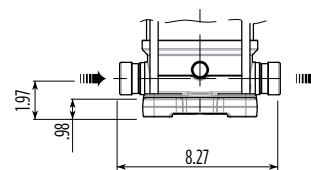
ACOPLAMIENTO-F (BRIDA REDONDA)



ACOPLAMIENTO-T (BRIDA OVALADA)



ACOPLAMIENTO-V (BRIDA VICTAULIC)



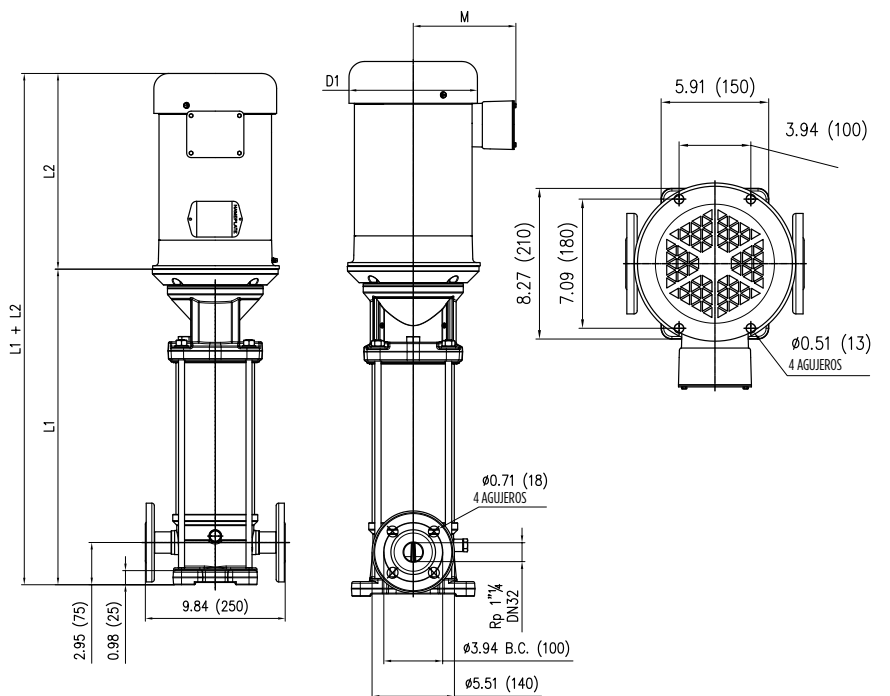
MODELO	ETAPAS	INFORMACIÓN DEL MOTOR			DIMENSIONES DEL MOTOR (IN)						ALTURA SOLO BOMBA (IN)			PESO (LB)	
					MOTOR BALDOR			MOTOR WEG*			BRIDA "F"	BRIDA "T"	BRIDA "V"		
		POTENCIA		BRIDA	L2	D1	M	L2	D1	M				L1	L3
		HP	KW								30 TEFC				
3VR2	2	0.75	0.55	56C	11.35	6.19	5.19	9.039	7.323	5.433	12.933	11.949	11.949	33.04	46.26
3VR3	3	1	0.75	56C	11.35	6.19	5.19	9.039	7.323	5.433	13.878	12.894	12.894	34.14	55.07
3VR4	4	1.5	1.1	56C	11.97	6.19	5.19	9.039	7.323	5.433	14.823	13.839	13.839	35.24	60.57
3VR5	5	1.5	1.1	56C	11.97	6.19	5.19	9.039	7.323	5.433	16.161	15.177	15.177	37.44	68.28
3VR6	6	2	1.5	56C	12.85	6.19	5.19	11.048	7.638	5.873	17.126	16.142	16.142	39.65	70.48
3VR7	7	3	2.2	56C	13.23	7.19	5.74	11.401	7.323	6.185	18.071	17.087	17.087	40.75	75.99
3VR8	8	3	2.2	56C	13.23	7.19	5.74	11.401	7.323	6.185	19.016	18.031	18.031	41.85	77.09
3VR9	9	3	2.2	56C	13.23	7.19	5.74	11.401	7.323	6.185	20.354	19.37	19.37	45.15	95.81
3VR10	10	5	3.7	184TC	16.55	8.5	6.87	15.851	9.435	6.696	21.299	20.315	20.315	46.26	96.92
3VR11	11	5	3.7	184TC	16.55	8.5	6.87	15.851	9.435	6.696	22.244	-	21.26	47.36	98.02
3VR12	12	5	3.7	184TC	16.55	8.5	6.87	15.851	9.435	6.696	23.189	-	22.205	48.46	99.12
3VR13	13	5	3.7	184TC	16.55	8.5	6.87	15.851	9.435	6.696	24.134	-	23.15	50.66	124.45
3VR14	14	5	3.7	184TC	16.55	8.5	6.87	15.851	9.435	6.696	25.079	-	24.094	51.76	125.55
3VR15	15	5	3.7	184TC	16.55	8.5	6.87	15.851	9.435	6.696	26.024	-	25.039	52.86	126.65

BOMBAS VERTICALES MULTI-ETAPAS

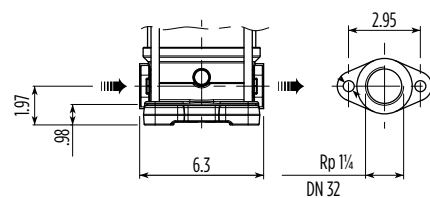
SERIE VR - 60 HZ

DIAGRAMAS DE DIMENSIONES MODELO VR5

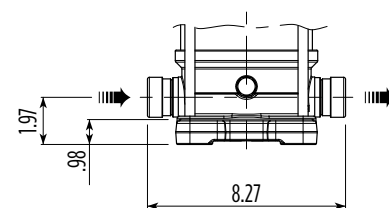
ACOPLAMIENTO-F (BRIDA REDONDA)



ACOPLAMIENTO-T (BRIDA OVALADA)



ACOPLAMIENTO-V (BRIDA VICTAULIC)



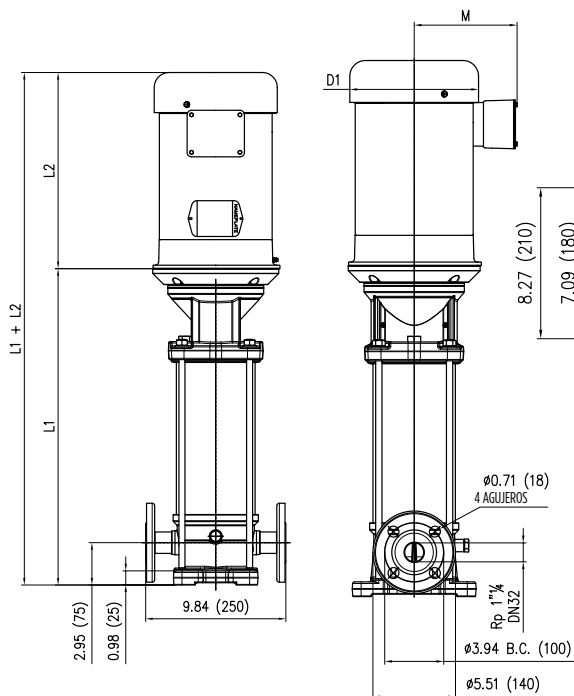
MODELO	ETAPAS	INFORMACIÓN DEL MOTOR			DIMENSIONES DEL MOTOR (IN)						ALTURA SOLO BOMBA (IN)			PESO (LB)	
					MOTOR BALDOR			MOTOR WEG*			BRIDA "F"	BRIDA "T"	BRIDA "V"	BOMBA	PMA
		POTENCIA		BRIDA	L2	D1	M	L2	D1	M					
		HP	KW		3Ø TEFC	3Ø TEFC	3Ø TEFC	L1	L3	L4					
5VR2	2	1	0.75	56C	11.35	6.19	5.19	9.039	7.323	5.433	12.933	11.949	11.949	34.14	55.07
5VR3	3	1.5	1.1	56C	11.97	6.19	5.19	9.039	7.323	5.433	13.878	12.894	12.894	35.24	60.57
5VR4	4	2	1.5	56C	12.85	6.19	5.19	11.048	7.638	5.873	15.217	14.232	14.232	37.44	68.28
5VR5	5	3	2.2	56C	13.23	7.19	5.74	11.401	7.323	6.185	16.161	15.177	15.177	38.55	73.79
5VR6	6	3	2.2	56C	13.23	7.19	5.74	11.401	7.323	6.185	17.126	16.142	16.142	39.65	74.89
5VR7	7	5	3.7	184TC	16.55	8.5	6.87	15.851	9.435	6.696	18.465	17.48	17.48	42.95	93.61
5VR8	8	5	3.7	184TC	16.55	8.5	6.87	15.851	9.435	6.696	19.409	18.425	18.425	44.05	94.71
5VR9	9	5	3.7	184TC	16.55	8.5	6.87	15.851	9.435	6.696	20.354	19.37	19.37	45.15	118.94
5VR10	10	5	3.7	184TC	16.55	8.5	6.87	15.851	9.435	6.696	21.299	20.315	20.315	46.26	120.04
5VR11	11	7.5	5.5	184TC	18.05	8.5	6.87	15.064	9.435	6.696	21.54	-	20.556	59.47	160.79
5VR12	12	7.5	5.5	184TC	18.05	8.5	6.87	15.064	9.435	6.696	24.075	-	23.091	60.57	161.89
5VR13	13	7.5	5.5	184TC	18.05	8.5	6.87	15.064	9.435	6.696	25.02	-	24.035	61.67	163
5VR14	14	7.5	5.5	184TC	18.05	8.5	6.87	15.064	9.435	6.696	25.965	-	24.98	62.78	164.1
5VR15	15	7.5	5.5	184TC	18.05	8.5	6.87	15.064	9.435	6.696	26.909	-	25.925	63.88	180.62

BOMBAS VERTICALES MULTI-ETAPAS

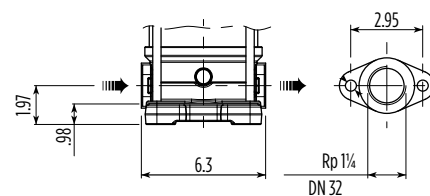
SERIE VR - 60 HZ

DIAGRAMAS DE DIMENSIONES MODELO VR9

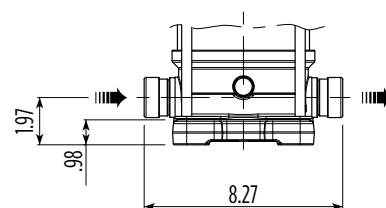
ACOPLAMIENTO-F (BRIDA REDONDA)



ACOPLAMIENTO-T (BRIDA OVALADA)



ACOPLAMIENTO-V (BRIDA VICTAULIC)



MODELO	ETAPAS	INFORMACIÓN DEL MOTOR			DIMENSIONES DEL MOTOR (IN)						ALTURA SOLO BOMBA (IN)			PESO (LB)	
					MOTOR BALDOR			MOTOR WEG*			BRIDA "F"	BRIDA "T"	BRIDA "V"	BOMBA	PMA
		POTENCIA		BRIDA	L2	D1	M	L2	D1	M					
		HP	KW								30 TEFC	30 TEFC			
9VR2	2	2	1.5	56C	12.85	6.19	5.19	11.048	7.638	5.873	14.075	14.075	14.075	39.65	52.86
9VR3	3	3	2.2	56C	13.23	7.19	5.74	11.401	7.323	6.185	15.256	15.256	15.256	40.75	75.99
9VR4	4	3	2.2	56C	13.23	7.19	5.74	11.401	7.323	6.185	16.831	16.831	16.831	44.05	94.71
9VR5	5	5	3.7	184TC	16.55	8.5	6.87	15.851	9.435	6.696	18.031	18.031	18.031	45.15	95.81
9VR6	6	5	3.7	184TC	16.55	8.5	6.87	15.851	9.435	6.696	19.213	19.213	19.213	47.36	121.15
9VR7	7	7.5	5.5	184TC	18.05	8.5	6.87	15.064	9.435	6.696	21.28	21.28	21.28	59.47	160.79
9VR8	8	7.5	5.5	184TC	18.05	8.5	6.87	15.064	9.435	6.696	22.461	22.461	22.461	60.57	161.89
9VR9	9	7.5	5.5	184TC	18.05	8.5	6.87	15.064	9.435	6.696	23.642	23.642	23.642	62.78	179.52
9VR10	10	10	7.5	215TC	18.63	10.28	8.05	18.525	10.965	7.973	24.823	-	24.823	63.88	180.62
9VRT1	11	10	7.5	215TC	18.63	10.28	8.05	18.525	10.965	7.973	26.004	-	26.004	66.08	182.82
9VR12	12	10	7.5	215TC	18.63	10.28	8.05	18.525	10.965	7.973	27.185	-	27.185	67.18	183.92
9VR13	13	10	7.5	215TC	18.63	10.28	8.05	18.525	10.965	7.973	28.366	-	28.366	67.18	183.92