



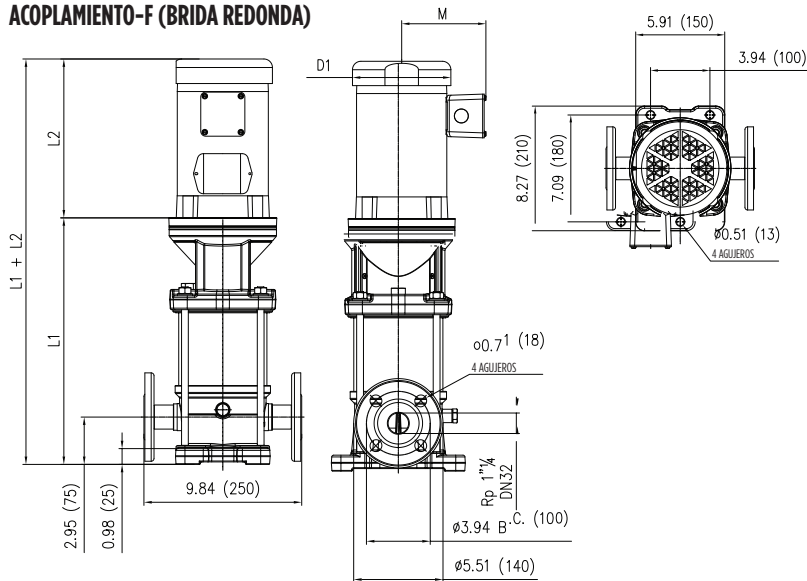
SERIE VR – BOMBAS VERTICALES MULTI-ETAPA

INFORMACIÓN DE MOTOR WEG

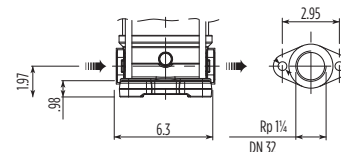
HP	kW	FASE	FLA	SFA	CONFIGURACIÓN	EFICIENCIA	VOLTS	POLOS	RECORTE	NO. DE PARTE FE
0.75	0.55	3	3.1-2.6/1.3	3/1.5	TEFC	Standard	230/460	2	56C	316113101
1	0.75	3	2.8/1.4	3.5/1.75		Premium	230/460	2	56C	316114101
1.5	1.1	3	4.6-3.8/1.9	4.3/2.15		Premium	230/460	2	56C	316115101
2	-	1	-	-		Premium	115/230	2	56C	316100101
2	1.5	3	5.3-5.0/2.5	5.56/2.78		Premium	230/460	2	56C	316101101
3	2.2	3	7.76-7.02/3.51	7.76-8.07/4.04		Premium	230/460	2	56C	316116101
5	-	1	-	-		Premium	115/230	2	184TC	316102101
5	3.7	3	13.1 - 11.8/5.90	15.06-13.5/6.8		Premium	230/460	2	184TC	316103101
7.5	5.5	3	19.2-17.3/8.67	22.08-19.9/9.9		Premium	230/460	2	184TC	316117101
7.5	5.5	3	19.2-17.3/8.67	22.08-19.9/9.9		Premium	230/460	2	213TC	316104101
10	7.5	3	25.4-23.0/11.5	29.2-26.4/13.2		Premium	230/460	2	215TC	316105101
15	11	3	38.5-34.8/17.4	44.3-40.02/20.01		Premium	230/460	2	254TC	316106101
20	15	3	50.2-45.4/22.7	57.7-52.2/26.1		Premium	230/460	2	256TC	316107101
25	18.5	3	62.1-56.2/28.1	77.6-70.3/35.1		Premium	230/460	2	284TSC	316108101
30	22	3	74.7-67.6/33.8	93.37-84.5/42.25		Premium	230/460	2	286TSC	316109101
40	30	3	101-91.6/45.8	126.25-114.5/57.25		Premium	230/460	2	324TSC	316110101
50	37	3	153-139/69.4	191.25-173.75/86.75		Premium	230/460	2	326TSC	316111101
60	45	3	153-139/69.4	191.25-173.75/86.75		Premium	230/460	2	364/5TSC	316112101

DIMENSIONES MOTOR WEG

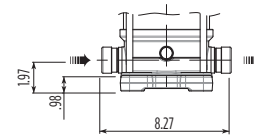
ACOPAMIENTO-F (BRIDA REDONDA)



ACOPAMIENTO-T (BRIDA OVALADA)



ACOPAMIENTO-V (BRIDA VICTAULIC)



TABLAS DE DIMENSIONES

MODELO	MOTOR WEG		
	L2	D1	M
	3Ø TEFC		
3VR2	9.039	7.323	5.433
3VR3	9.039	7.323	5.433
3VR4	9.039	7.323	5.433
3VR5	9.039	7.323	5.433
3VR6	11.048	7.638	5.873
3VR7	11.401	7.323	6.185
3VR8	11.401	7.323	6.185
3VR9	11.401	7.323	6.185
3VR10	15.851	9.435	6.696
3VR11	15.851	9.435	6.696
3VR12	15.851	9.435	6.696
3VR13	15.851	9.435	6.696
3VR14	15.851	9.435	6.696
3VR15	15.851	9.435	6.696
5VR2	9.039	7.323	5.433
5VR3	9.039	7.323	5.433
5VR4	11.048	7.638	5.873
5VR5	11.401	7.323	6.185
5VR6	11.401	7.323	6.185
5VR7	15.851	9.435	6.696
5VR8	15.851	9.435	6.696
5VR9	15.851	9.435	6.696
5VR10	15.851	9.435	6.696
5VR11	15.064	9.435	6.696
5VR12	15.064	9.435	6.696
5VR13	15.064	9.435	6.696
5VR14	15.064	9.435	6.696
5VR15	15.064	9.435	6.696

MODELO	MOTOR WEG		
	L2	D1	M
	3Ø TEFC		
9VR2	11.048	7.638	5.873
9VR3	11.401	7.323	6.185
9VR4	11.401	7.323	6.185
9VR5	15.851	9.435	6.696
9VR6	15.851	9.435	6.696
9VR7	15.064	9.435	6.696
9VR8	15.064	9.435	6.696
9VR9	15.064	9.435	6.696
9VR10	18.525	10.965	7.973
9VR11	18.525	10.965	7.973
9VR12	18.525	10.965	7.973
9VR13	18.525	10.965	7.973